

ELECTRIC BOLT DROP BOLT

● SPECIFICATIONS AND TECHNICAL DETAILS

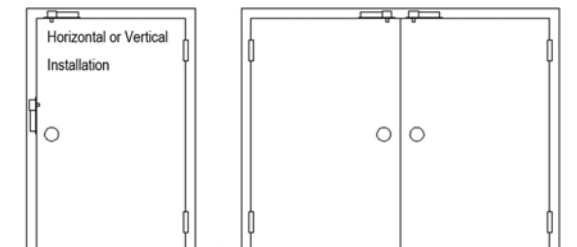
● DIMENSIONS :

BODY : 200mmLx34mmWx42mmD
 COVER PLATE : 220mmLx42mmWx0.8mmD
 FACE PLATE : 210 mmLx34mmWx3mmD
 STRIKE PLATE : 90mmLx24mmWx2.7mmD

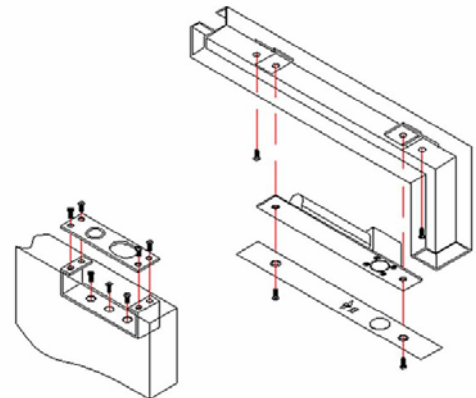
- CURRENT DRAW : 1A / 12VDC (PULL-IN CURRENT)
- HOLDING CURRENT : 0.3A / 12VDC
- VOLTAGE : 12VDC / 24VDC
- ML200SLD : WITH LOCK AND DOOR STATUS SENSOR
- OPTIONS : SL / LOCK STATUS SENSOR
SD / DOOR STATUS SENSOR
- FAIL-SAFE : LOCKED WHEN ENERGIZED
- AUTO-RELOCK JUMPER
- BUILT-IN VOLTAGE SPIKE SUPPRESSOR
- WEIGHT : 0.9KGS.
- CE APPROVED
- UL LISTED



■ SUGGESTED INSTALLATION POSITIONS



■ TYPICAL INSTALLATION



■ APPLICATIONS



SPRINT RESERVES THE RIGHT TO CHANGE SPECIFICATIONS WITHOUT NOTICE.