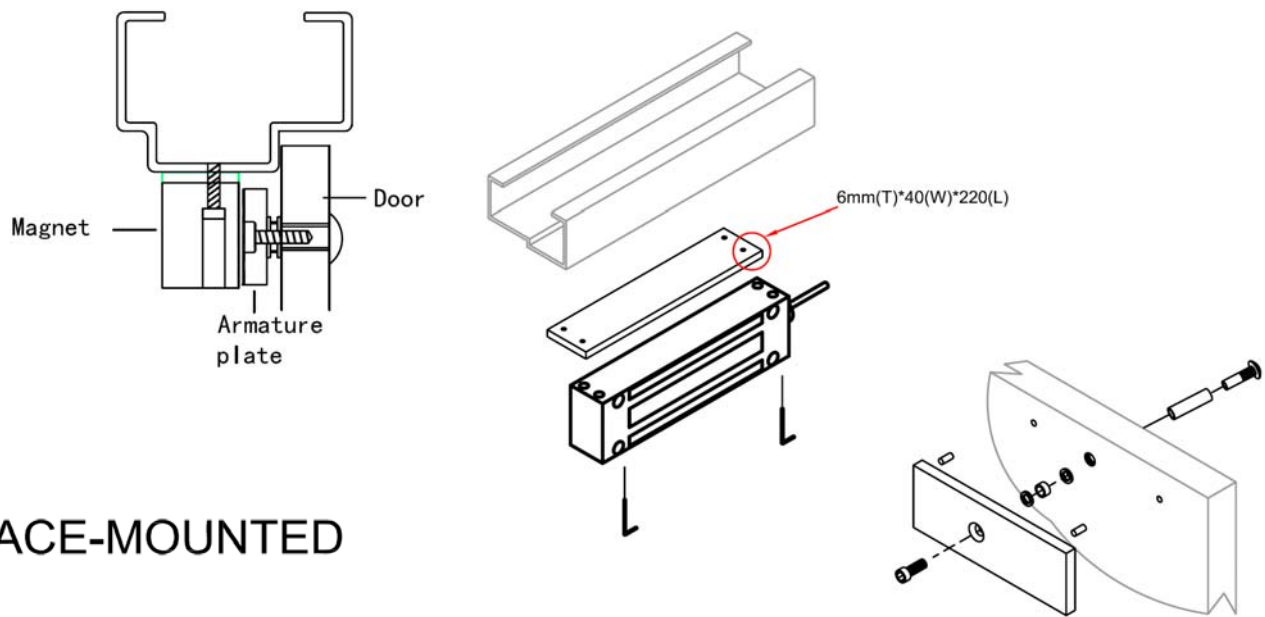


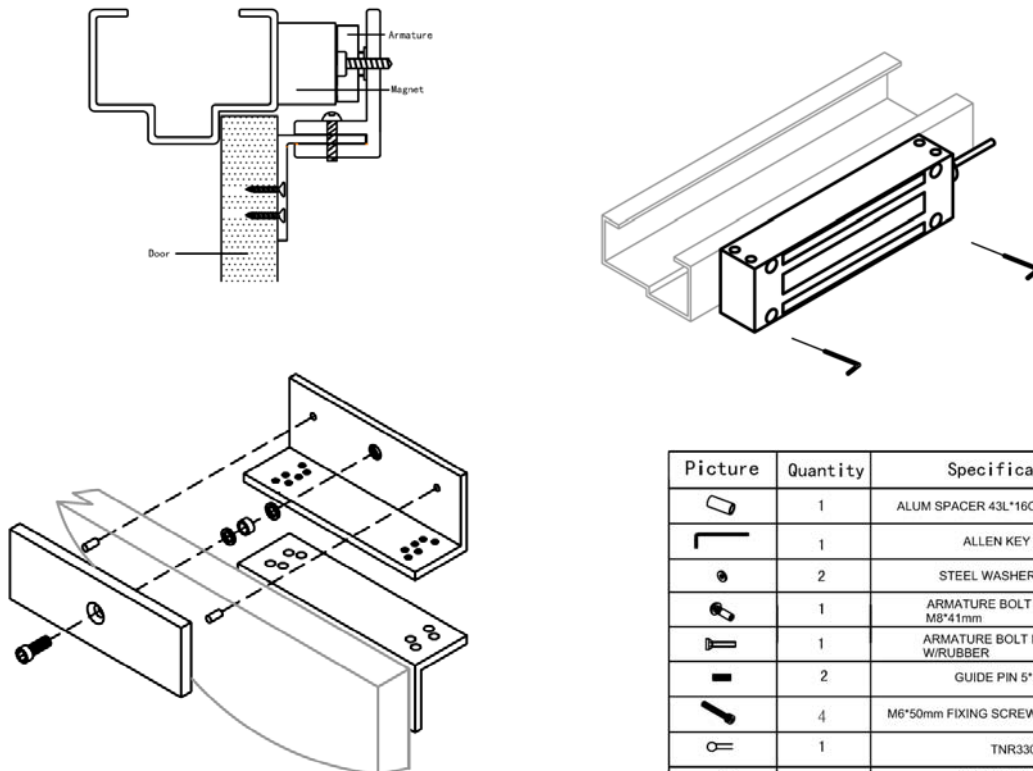
SPRINT™ HOLDFAST

Mounting Installation Series Magnetic Locking Devices

SIDE-MOUNTED



FACE-MOUNTED



Picture	Quantity	Specification	SERIES
	1	ALUM SPACER 43L*16OD*12.8IDmm	
	1	ALLEN KEY 5mm	
	2	STEEL WASHER 22mm DIA	
	1	ARMATURE BOLT RECEIVER M8*41mm	
	1	ARMATURE BOLT M8*45mm W/RUBBER	
	2	GUIDE PIN 5*16mm	
	4	M6*50mm FIXING SCREW (NYLOCKED)	
	1	TNR330	
	1	RUBBER WASHER 15(OD)*9(ID)*4(H)mm	
	4	STEEL WASHER 10mm DIA	
	8	Rubber T=5mmOD=10.5	

SPRINT™ HOLDFAST

TYPICAL INSTALLATION OF GATELOCKS

