

SPRINT™ HOLDFAST

ELECTRIC STRIKES SI-245SL

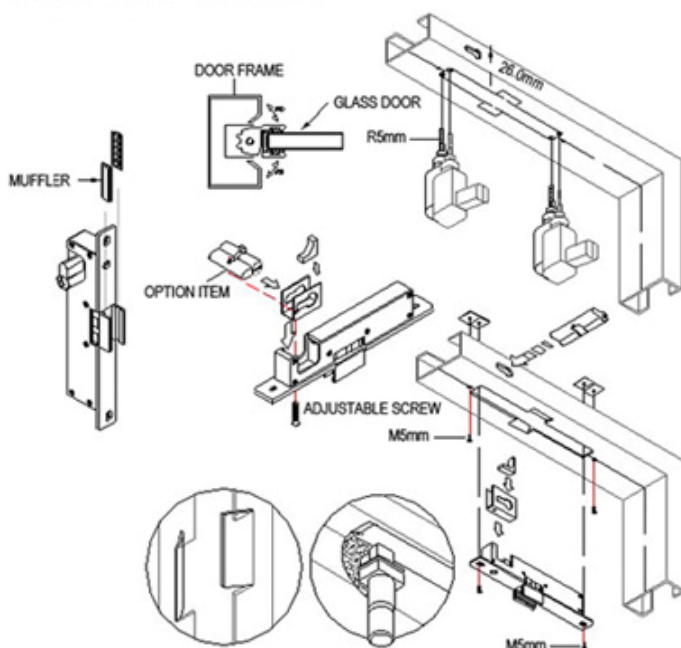
SPECIFICATIONS AND TECHNICAL DETAILS

Dimensions: 245mmLx25mmWx41mmD
Voltage: 12v DC
Current: 300mA/ 12v DC
Modes: Fail secure/ Fail safe field reversible
Options: Lock status sensor
Glass thickness: 8-12mm



■ INSTALLATION

FOR 180°- SWING GLASS DOOR



SPRINT RESERVES THE RIGHT TO CHANGE SPECIFICATIONS WITHOUT NOTICE.

