

ELECTRIC STRIKES

SI-124

SPECIFICATIONS AND TECHNICAL DETAILS

Dimensions: 123mmLx43mmWx38mmD

Voltage: 12v DC

Current: 400mA/ 12v DC

200mA/ 12v DC (F)

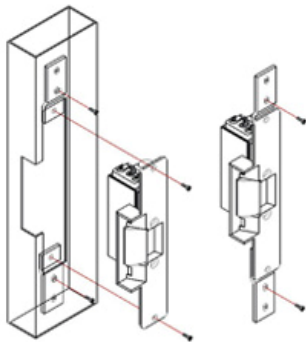
Modes: Fail secure/ Fail safe

Fire- resistant

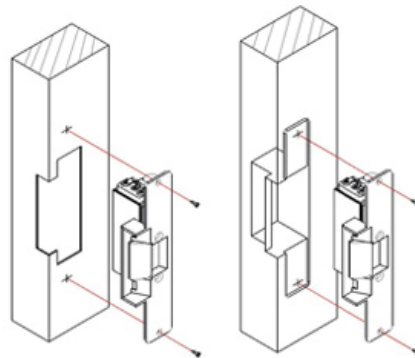


■ INSTALLATION

Stainless steel or Aluminum door frame

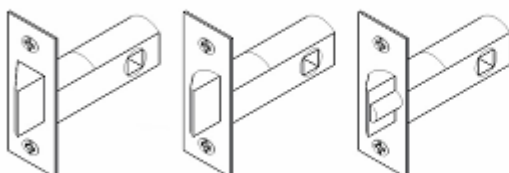


Wooden door frame

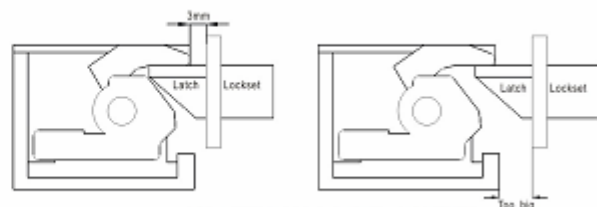


■ APPLICATIONS

APPLICATION REQUIREMENT : SUITABLE FOR DOOR THICKNESS: 30mm-40mm



LATCH TYPE



ALLOWABLE LATCH CAVITY

SPRINT RESERVES THE RIGHT TO CHANGE SPECIFICATIONS WITHOUT NOTICE.

