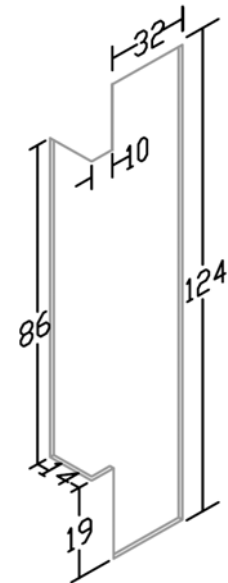
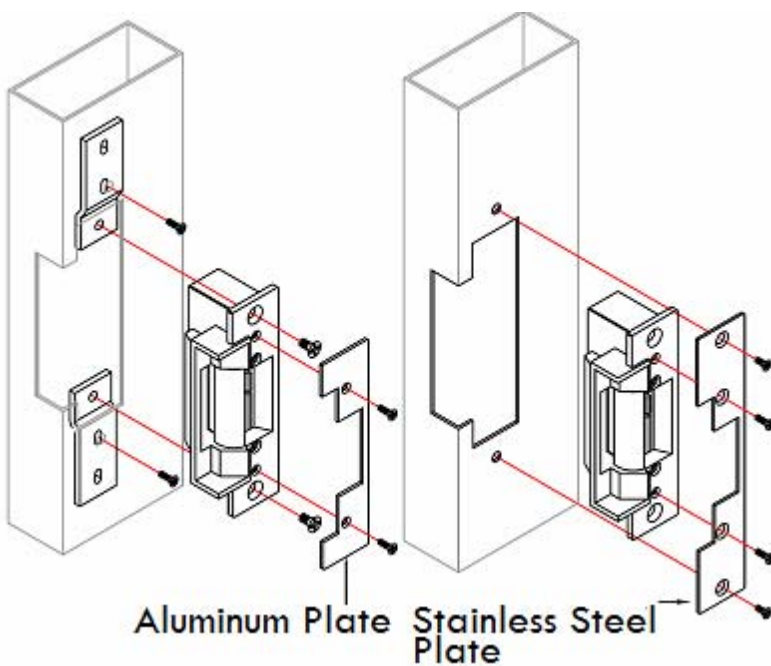


SPRINT™ HOLDFAST

ELECTRIC STRIKES SI125(F) INSTALLATION

Application:
Regular Door Frame

Stainless Steel/ Aluminum Door Frame



Wooden Door Frame

