

ELECTRIC STRIKES SI 125 (F)

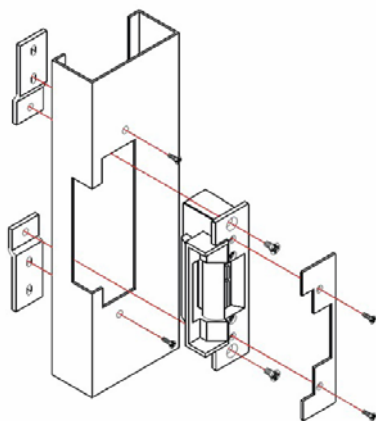
● SPECIFICATIONS AND TECHNICAL DETAILS

- DIMENSIONS : 125mmLx38mmWx44mmD
- VOLTAGE : 12VDC
- MODES : FAIL SECURE/FAIL SAFE
- CURRENT : 400mA / 12VDC
(F) 200mA / 12VDC
- FACE PLATES : ALUMINUM
- CE APPROVED

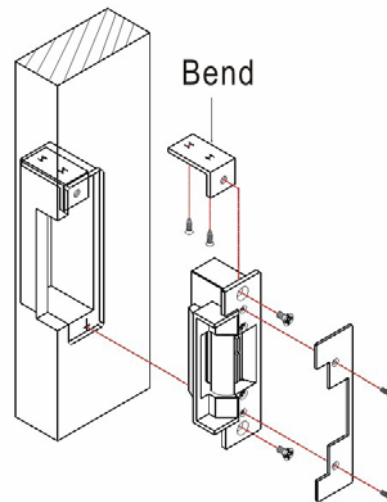


■ INSTALLATION

Stainless steel or Aluminum door frame

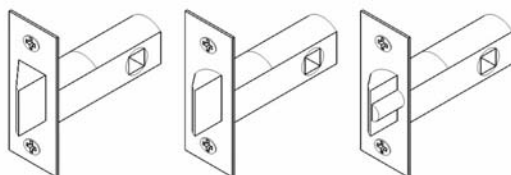


Wooden door frame

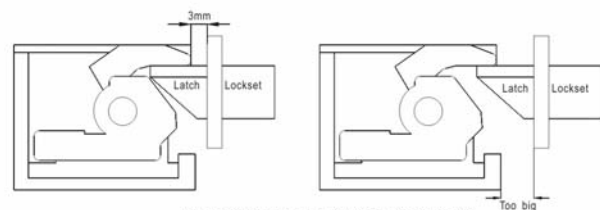


■ APPLICATIONS

APPLICATION REQUIREMENT : SUITABLE FOR DOOR THICKNESS: 30mm-40mm



LATCH TYPE



ALLOWABLE LATCH CAVITY

SPRINT RESERVES THE RIGHT TO CHANGE SPECIFICATIONS WITHOUT NOTICE.