

# ELECTRIC STRIKES

## SI160(F)

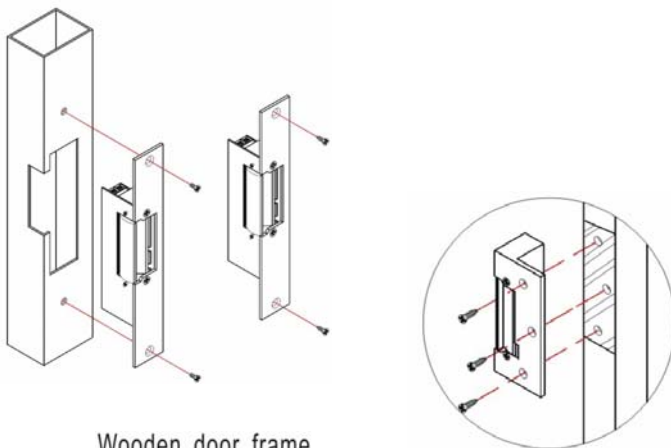
### ● SPECIFICATIONS AND TECHNICAL DETAILS

- DIMENSIONS : 160mmLx25mmWx31mmD
- VOLTAGE : 12VDC
- MODES : FAIL SECURE/FAIL SAFE
- CURRENT : 400mA / 12VDC  
(F) 200mA / 12VDC
- CE APPROVED

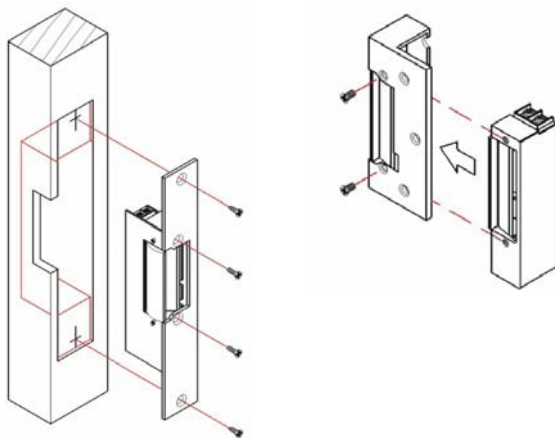


### ■ INSTALLATION

Stainless steel or Aluminum door frame

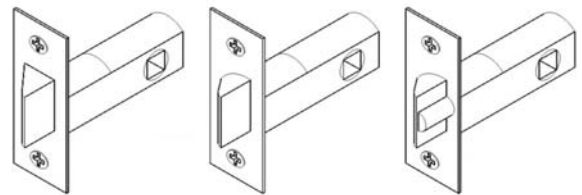


Wooden door frame

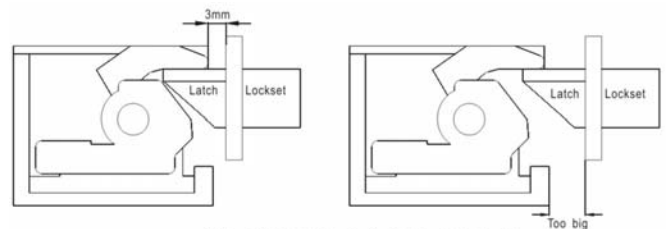


### ■ APPLICATIONS

APPLICATION REQUIREMENT :  
SUITABLE FOR DOOR THICKNESS : 30mm-40mm



LATCH TYPE



ALLOWABLE LATCH CAVITY

SPRINT RESERVES THE RIGHT TO CHANGE SPECIFICATIONS WITHOUT NOTICE.