

ELECTRIC STRIKES

SI 250

● SPECIFICATIONS AND TECHNICAL DETAILS

- DIMENSIONS : 250mmLx25mmWx31mmD
- VOLTAGE : 12VDC
- MODES : FAIL SECURE/FAIL SAFE
- CURRENT : 400mA / 12VDC
(F) 200mA / 12VDC
- CE APPROVED

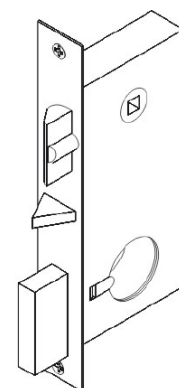
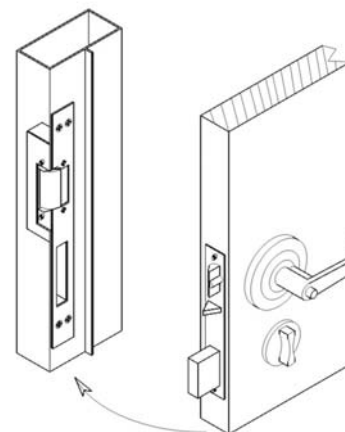
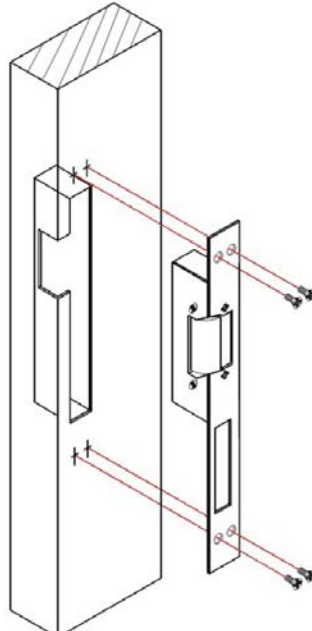
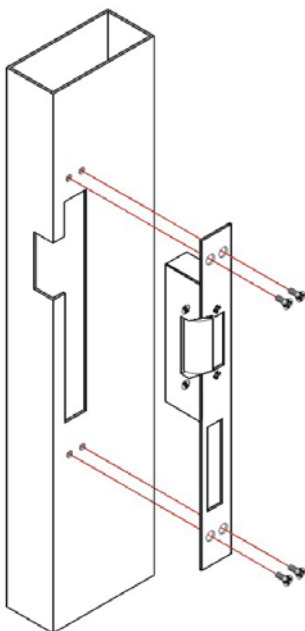


■ INSTALLATION

Stainless steel or Aluminum door frame

Wooden door frame

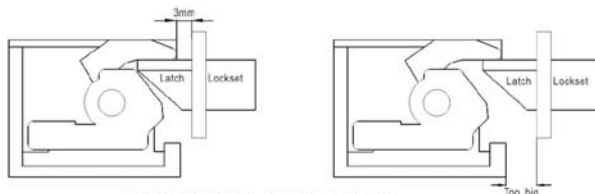
COLLOCATE WITH QUADRATE LOCKSET



LATCH TYPE

■ APPLICATIONS

APPLICATION REQUIREMENT : SUITABLE FOR DOOR THICKNESS: 30mm-40mm



ALLOWABLE LATCH CAVITY

SPRINT RESERVES THE RIGHT TO CHANGE SPECIFICATIONS WITHOUT NOTICE.

